



## IOLITEd ACCESSORIES

### IOLITEd-Power-Injector, IOLITEd-Repeater IOLITEdw Waterproof enclosure

Accessories for powering the IOLITEd devices and building a large-scale measurement.

#### IOLITEd-POWER-INJECTOR

IOLITEd-Power-Injector is a passive PoE power injector. It merges a 12-48 V DC power source and the EtherCAT communication into a single CAT6 cable. The IOLITEd devices require the POWER-INJECTOR as the first device in the chain. It also offers the first line of protection to the EtherCAT chain:

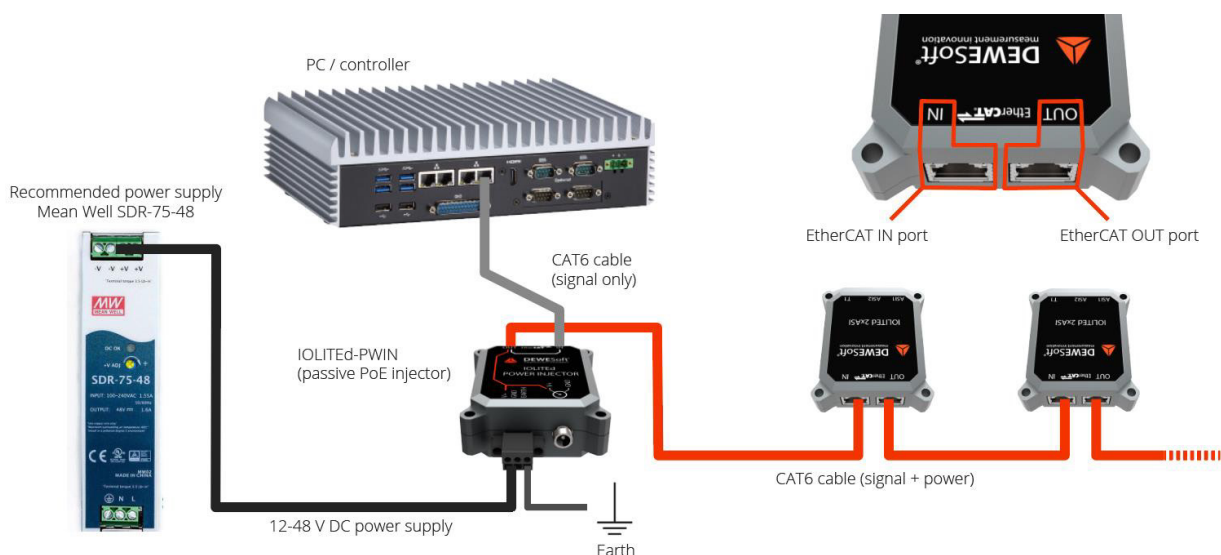
- Burst protection according to 61000-4-4
- Surge protection according to 61000-4-5



#### GENERAL SPECIFICATIONS OF THE IOLITEd-POWER-INJECTOR DEVICE:

|                              |                         |                       |                 |
|------------------------------|-------------------------|-----------------------|-----------------|
| Digital interface            | EtherCAT                | Supply voltage        | 12-48 V         |
| EtherCAT connectors          | RJ45                    | Operating temperature | -20 ... 60 degC |
| Power connector              | Wire terminal, 2mm jack | IP rating             | IP20            |
| Earth connector              | Wire terminal           | Weight                | 105 g           |
| Wire terminal connector type | MC 1,5/3-STF-3.81       | Housing material      | Aluminium       |
| Power consumption            | <500 mW                 |                       |                 |

The schematic below shows the connection diagram of an EtherCAT chain of IOLITEd devices.



## IOLITEd-REPEATER

IOLITEd-Repeater is an EtherCAT repeater node. It is used to increase the cable length between two IOLITEd measurement devices for a lower cost than adding an additional measurement device. The REPEATER fits perfectly into the EtherCAT chain, daisy chaining the signal and power from the previous to the next device.

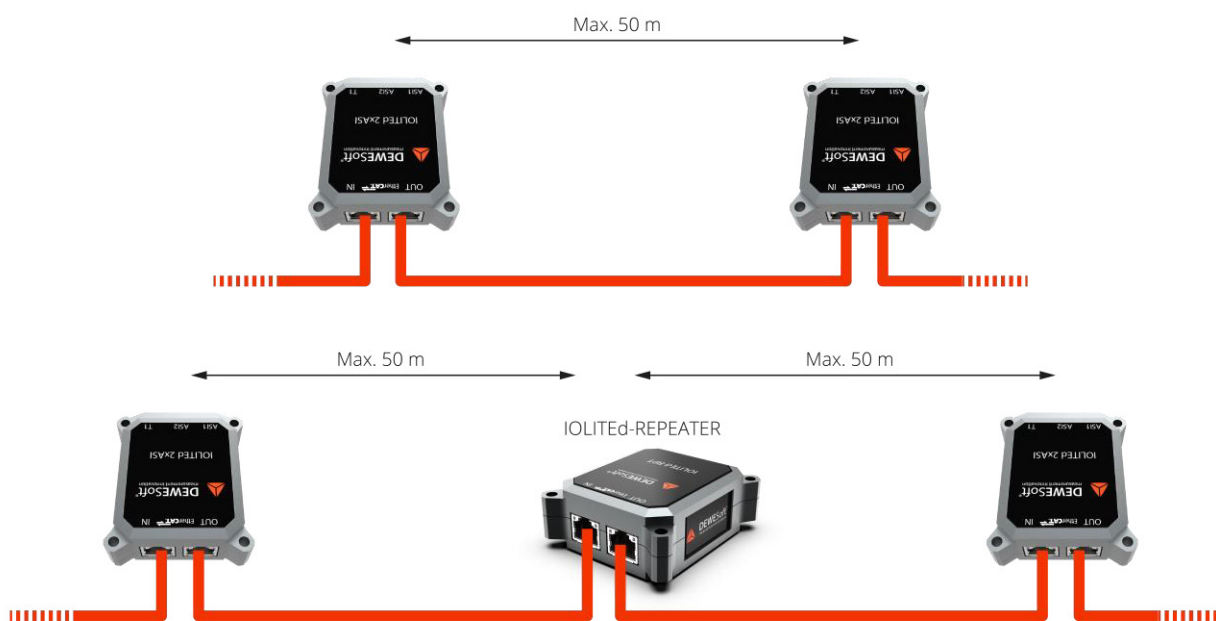


### GENERAL SPECIFICATIONS OF THE IOLITEd-REPEATER DEVICE:

|                       |                 |
|-----------------------|-----------------|
| Digital interface     | EtherCAT        |
| EtherCAT connectors   | RJ45            |
| Power consumption     | 1200 mW         |
| Supply voltage        | 12-48 V         |
| Operating temperature | -20 ... 60 degC |
| IP rating             | IP20            |
| Weight                | 105 g           |
| Housing material      | Aluminium       |

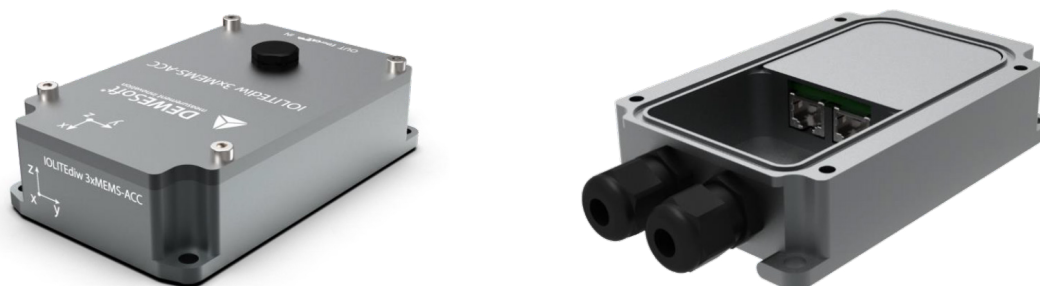


The schematic below shows the role of a IOLITEd-Repeater in an EtherCAT chain.



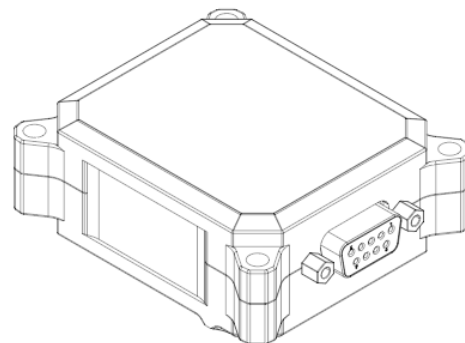
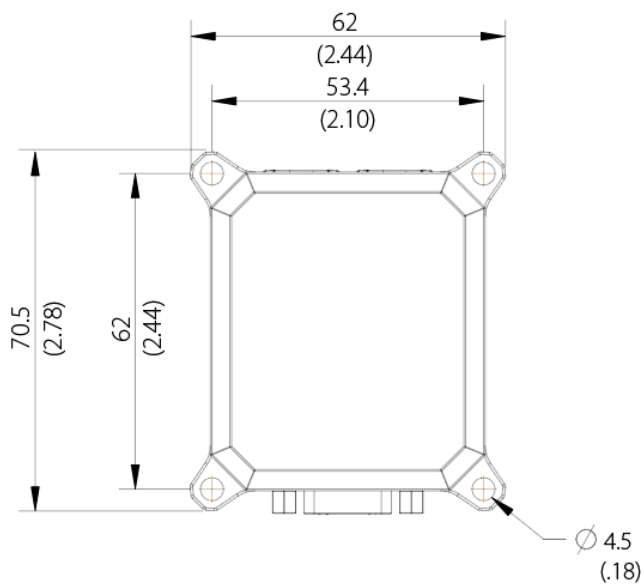
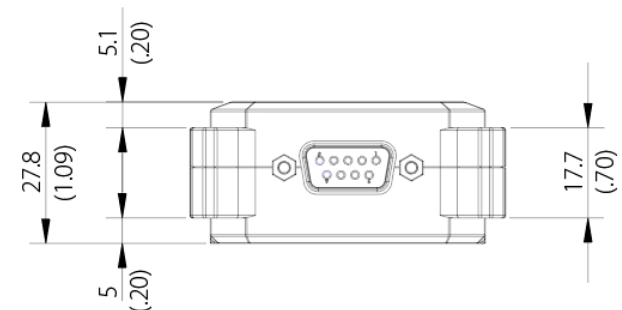
## IOLITEDW WATERPROOF ENCLOSURE

IOLITEd devices can be supplied in a waterproof aluminium enclosure with cable glands. The enclosure is designed to be mounted outdoor. Cables are to be inserted through the cable glands at the installation location and crimped to the cable connectors inside the enclosure. The top lid is to be fixed to the enclosure using an O-ring seal and four bolts after the connectors are mated.



The outdoor enclosure automatically vents air to equalize pressure inside the enclosure to the outside air pressure while it does not allow water to pass into the enclosure. This prolongs the life span of the seal and increases durability of the enclosure.

**MECHANICAL DRAWING - IOLITEd standard height housing**

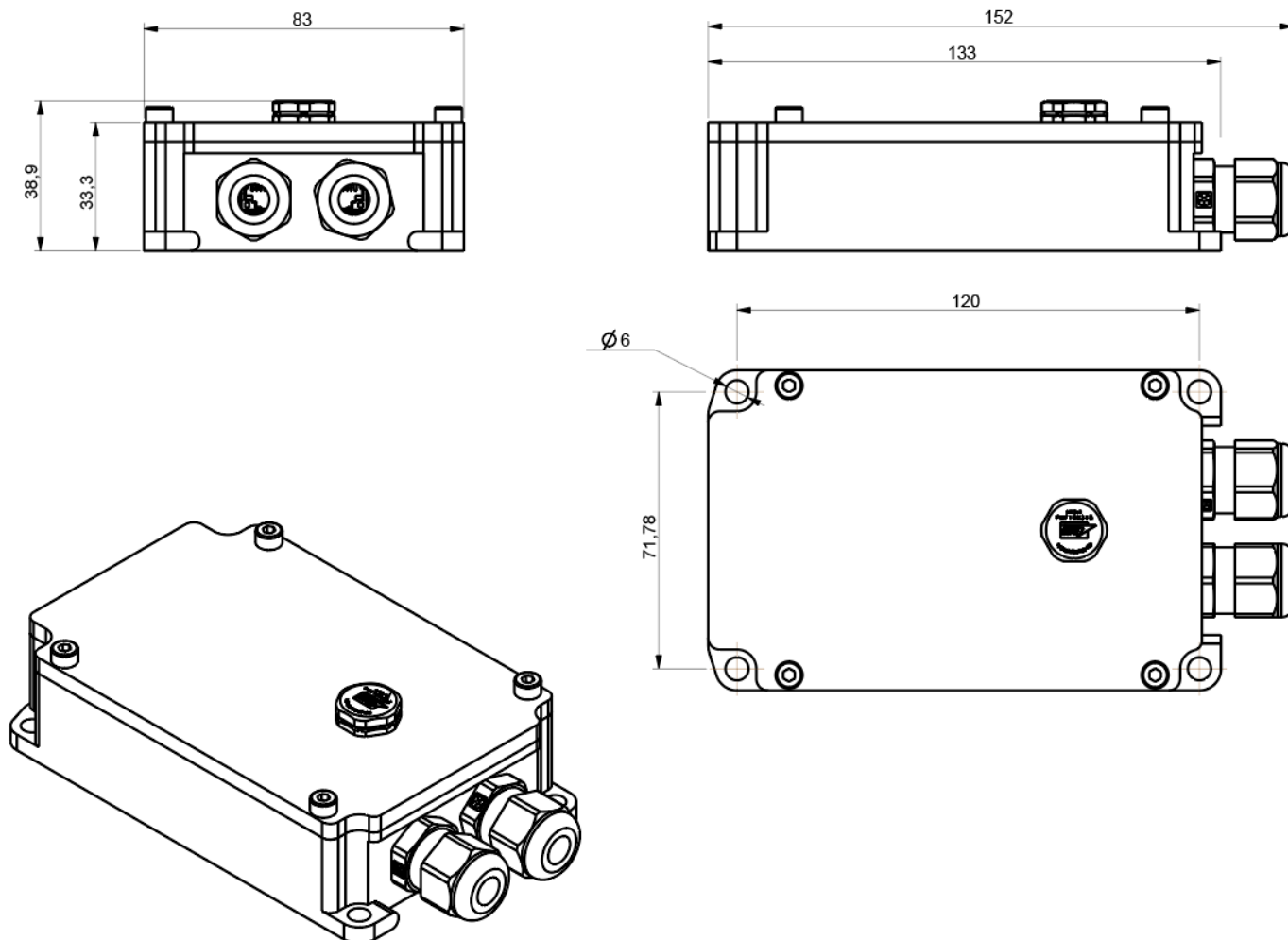


(Not to scale)

Preferred mounting: M4 screws in each of the four  $\ominus$  4.5 mm corner holes.



MECHANICAL DRAWING - IOLITEd waterproof housing



(Not to scale)