



PRO 360

Digital Protractor

- Measurement range 360° (4x 90°)
- Accuracy: $\pm 0.1^\circ$ (range 0° $\pm 10^\circ$)
 $\pm 0.1^\circ$ (range 90° $\pm 10^\circ$)
 $\pm 0.2^\circ$ other ranges
- Display in °
- Supply voltage 9 V battery



The PRO 360 series is a revolutionary measuring tool that provides an immediate, digital reading of all angles in a 360° circle. The machined aluminium frame is a rigid, lightweight, ultra-precise platform that allows the state-of-the-art sensor and its microprocessor circuit to provide unsurpassed accuracy throughout the Protractor's 360° range.

The PRO 360 series uses an innovative liquid-filled angle sensor. As the protractor is moved, the liquid seeks a new position, resulting in changes in the electrical properties of the sensor. A microprocessor analyses the changes and calculates the numbers seen on the display.

The unit operates for up to 500 hours on a single 9 V battery.

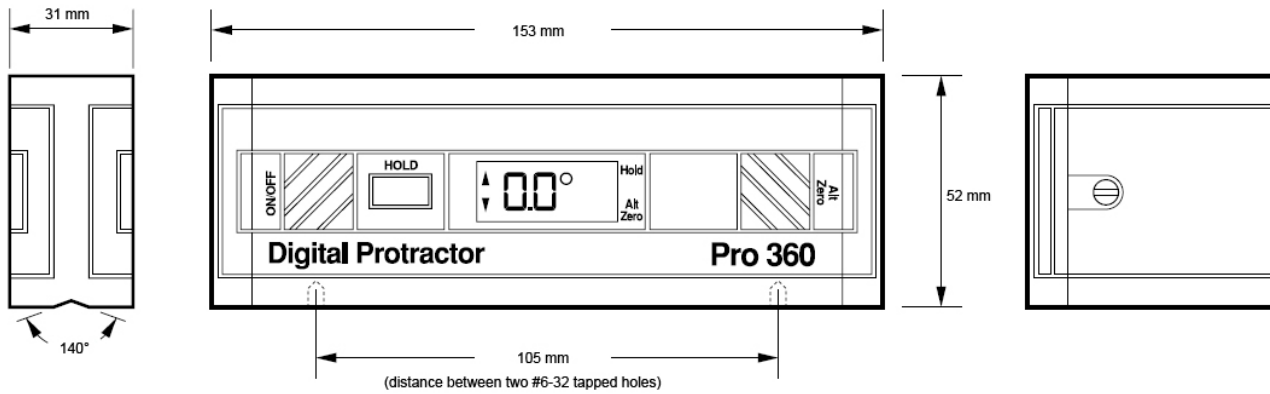
More Features

- Resolution 0.1°
- Easy to read LCD display
- Precision, machined aluminium frame
- Unit can be recalibrated to factory accuracy in the field without special tools
- Typical applications: drive shaft alignment, aircraft flap calibration, setup of precision machines, road or rail-track layout, satellite or aerial alignment

Specifications

| | |
|---|--|
| Range: | 360° (4 x 90°) |
| Resolution: | 0.1° |
| Accuracy: | $\pm 0.1^\circ$ (range 0° $\pm 10^\circ$) $\pm 0.1^\circ$ (range 90° $\pm 10^\circ$) max. $\pm 0.2^\circ$ (other ranges) |
| Repeatability: | $\pm 0.1^\circ$ |
| Error up to 20° cross axis inclination: | 0.6° |
| Supply voltage: | battery 9 V |
| Battery life: | 500 hours typical |
| Operating temperature: | -5 ... +50 °C |
| Storage temperature: | -20 ... +65 °C |
| Weight: | approx. 325 g |

✚ Dimensions



All dimensions in mm, approx. values.
These drawings are for information only and not intended for construction purpose.
Please ask for detailed drawings.

✚ Ordering Information

| | |
|----------------|---|
| PRO 360 | PRO 360 unit and accessory: <ul style="list-style-type: none">- Factory calibration certificate- Battery 9 V- Transport case- Manual |
| | Accessory: |
| PRO-MF | Magnet base (available only when ordered with a PRO 360 unit) |